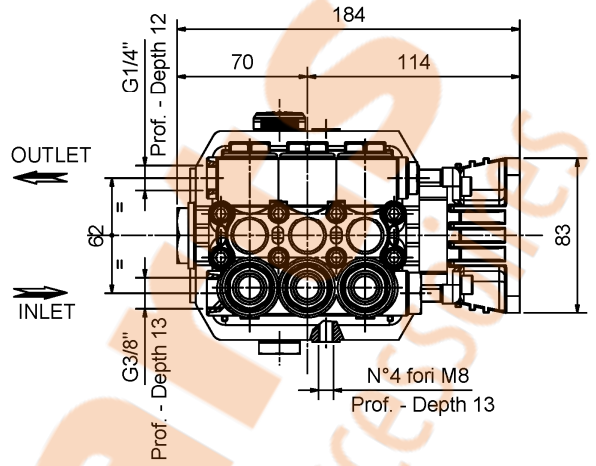
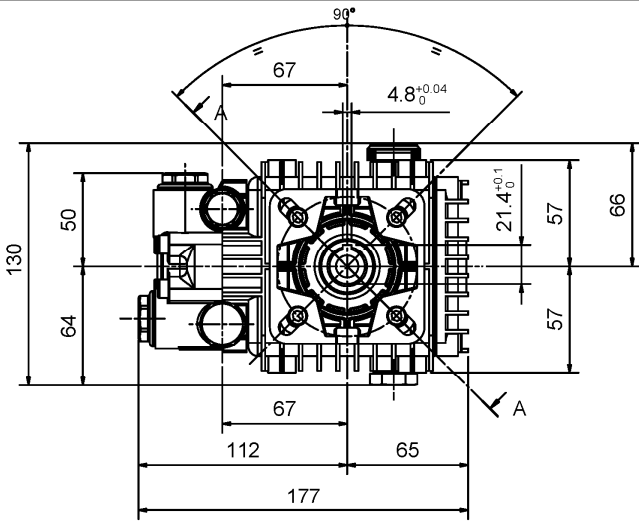
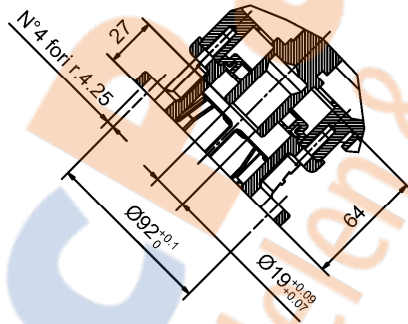
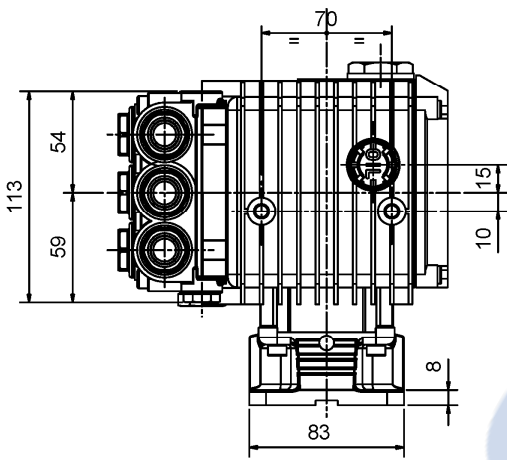


**DIMENSIONI D'INGOMBRO – OVERALL DIMENSIONS – DIMENSIONS D'ENCOMBREMENT  
RAUMBEDARF – DIMENSIONES TOTALES – DIMENSÕES**

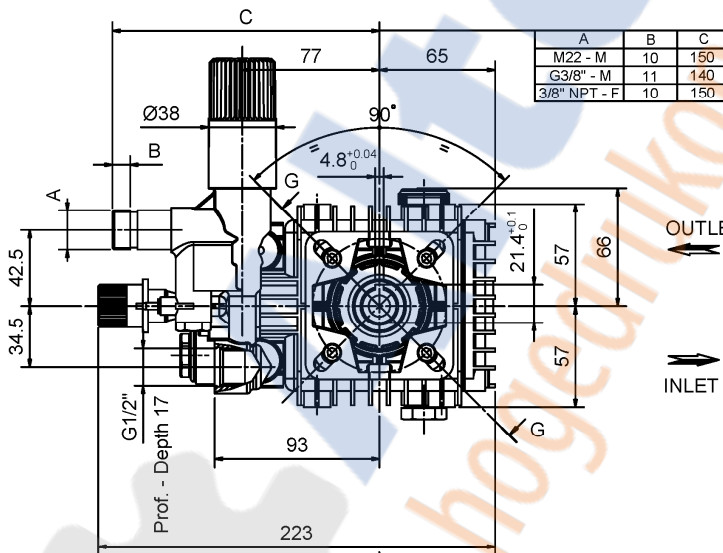


Sez. A-A



**WW906 – TT9061  
TT1508  
TT1510  
WW907 – TT9071  
TT1511  
TT1512  
WW909 – TT9091  
TT1513**

**COD. DIS. 51.2148.00**



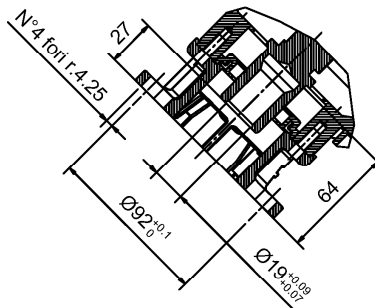
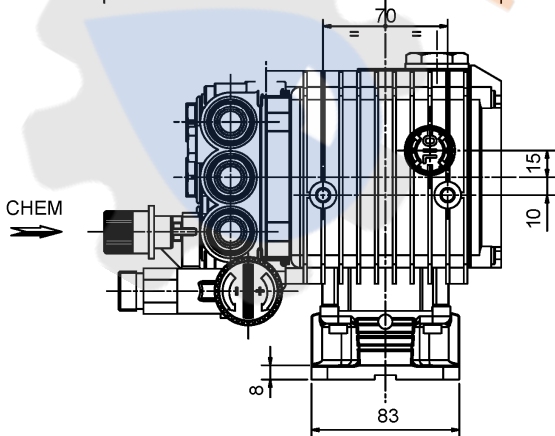
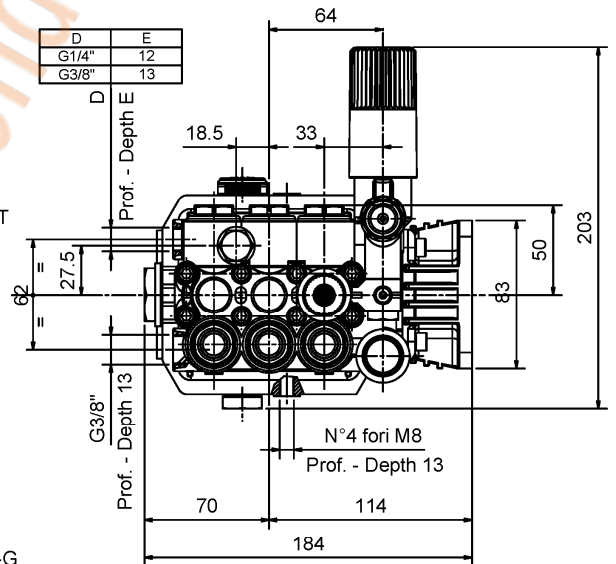
A	B	C
M22 - M	10	150
G3/8" - M	11	140
3/8" NPT - F	10	150

D	E
G1/4"	12
G3/8"	13

OUTLET

INLET

Sez. G-G



**COD. DIS. 51.2155.00**

**VH VALVE**